

Combined Graduate Level Examination Tier I 2022

Roll Number	
Candidate Name	
Venue Name	iON Digital Zone iDZ Teenpani
Exam Date	02/12/2022
Exam Time	2:30 PM - 3:30 PM
Subject	Combined Graduate Level Examination Tier I 2022

Section : General Intelligence and Reasoning

Q.1 In the following question, select the missing number from the given series.
111, 222, 444, ?, 1776, 3552

- Ans
- 1. 999
 - 2. 888
 - 3. 1780
 - 4. 1770

Question ID : 264330105019
Status : Answered
Chosen Option : 2

Q.2 Based on the position in the English alphabetical order, three of the following letter-clusters are alike in some manner and one is different. Select the odd letter-cluster.

- Ans
- 1. IDAY
 - 2. SNJH
 - 3. QLHF
 - 4. VQMK

Question ID : 26433065662
Status : Answered
Chosen Option : 1

Q.3 By interchanging the given two signs and numbers which of the following equation will be correct?
+ and -, 2 and 4

- Ans
- 1. $9 - 5 + 4 \times 2 + 8 = 80$
 - 2. $7 \times 4 - 2 \div 1 + 5 = 13$
 - 3. $7 - 8 + 2 + 16 \times 4 = 18$
 - 4. $5 + 7 \times 4 - 8 \div 2 = 5$

Question ID : 264330105134
Status : Answered
Chosen Option : 2

Q.4 R + S means 'R is the daughter of S'
R = S means 'R is the father of S'
R ÷ S means 'R is the wife of S'
R × S means 'R is the brother of S'
E ÷ F × J + L = M, then how is L related to E?

- Ans
- 1. Father
 - 2. Wife
 - 3. Father-in-law
 - 4. Brother

Question ID : 26433068074
Status : Answered
Chosen Option : 3

Q.5 Select the option that is related to the fourth term in the same way as the first term is related to the second term and the fifth term is related to the sixth term.
8 : 496 :: ? : 204 :: 9 : 711

- Ans
- 1. 5
 - 2. 13
 - 3. 6
 - 4. 11

Question ID : 26433059944
Status : Answered
Chosen Option : 3

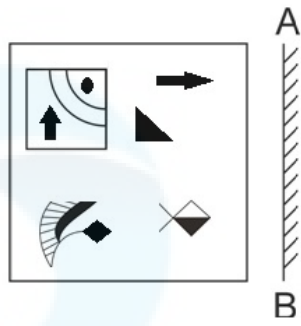
Q.6 Select the set in which the numbers are related in the same way as are the numbers of the following set.

(NOTE: Operations should be performed on the whole numbers, without breaking down the numbers into its constituent digits. E.g., 13 – Operations on 13 such as adding /subtracting /multiplying etc. to 13 can be performed. Breaking down 13 into 1 and 3 and then performing mathematical operations on 1 and 3 is NOT allowed).
(25, 9, 56)
(13, 14, 183)

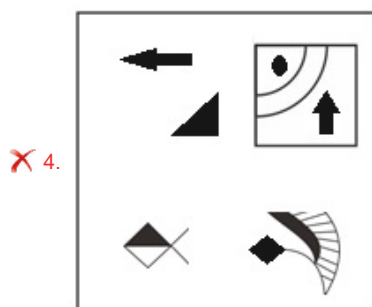
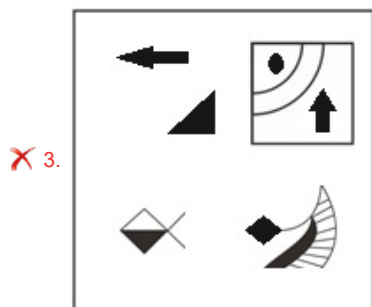
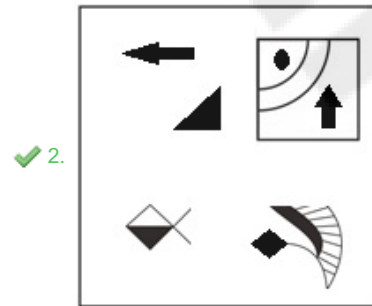
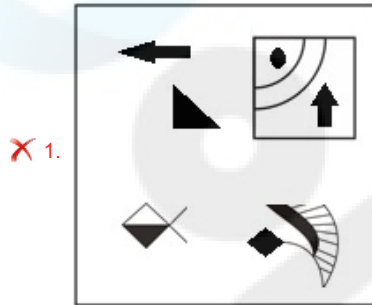
- Ans
- 1. (42, 12, 228)
 - 2. (11, 16, 135)
 - 3. (19, 23, 511)
 - 4. (27, 15, 198)

Question ID : 26433074561
Status : Not Attempted and Marked For Review
Chosen Option : --

Q.7 Select the correct mirror image of the given figure when the mirror is placed at AB as shown.



Ans



Question ID : 26433070444
 Status : Answered
 Chosen Option : 2

Q.8 Select the correct combination of mathematical signs to sequentially replace the * signs and balance the given equation.

$$17 * 11 * 42 * 2 * 7 = 18$$

Ans 1. - + + +

2. - + × +

3. - + × ×

4. + - + ×

Question ID : 26433068597

Status : Answered

Chosen Option : 2

Q.9 In the following question, four number pairs are given. In each pair the number on left side of (-) is related to the number of the right side of (-) with some Logic/Rule/Relation. Three pairs are similar on basis of same Logic/Rule/Relation. Select the odd one out from the given alternatives. (NOTE: Operations should be performed on the whole numbers, without breaking down the numbers into its constituent digits. E.g. 13 – Operations on 13 such as adding /subtracting /multiplying etc. to 13 can be performed. Breaking down 13 into 1 and 3 and then performing mathematical operations on 1 and 3 is not allowed)

Ans 1. 3 – 44

2. 4 – 64

3. 5 – 125

4. 6 – 216

Question ID : 264330105049

Status : Answered

Chosen Option : 1

Q.10 By interchanging the given two signs which of the following equation will be not correct?
+ and –

Ans 1. $18 \div 3 + 8 \times 5 - 4 = 30$

2. $4 \times 6 + 7 - 3 \div 1 = 20$

3. $18 + 8 \times 6 \div 3 - 11 = 13$

4. $6 \times 9 + 7 - 8 \div 2 = 51$

Question ID : 264330105127

Status : Answered

Chosen Option : 1

Q.11 Which letter-cluster will replace the question mark (?) to complete the given series?
CZNM, FXOL, IVPK, ?, ORRI

Ans 1. LSQJ

2. LTRK

3. LSQK

4. LTQJ

Question ID : 26433065956

Status : Answered

Chosen Option : 4

Q.12 If $A + B$ means that A is the brother of B, $A \times B$ means that A is the sister of B, $A \div B$ means that A is the father of B then which of the following expression shows that P is the brother of R?

Ans 1. $P + Q + R$

2. $P + Q \times R$

3. $P \times Q + R$

4. $P + R \times Q$

Question ID : 264330104999

Status : Answered

Chosen Option : 2

Q.13 Select the correct mirror image of the given figure when the mirror is placed at MN as shown below.

F D c A L 5

M ————— N

Ans 1. F D c A L 5

2. F D c A L 5

3. F D c A L 5

4. F D c A L 5

Question ID : 26433080797

Status : Answered

Chosen Option : 4

Q.14 Three statements are given followed by three conclusions numbered I, II and III. Assuming the statements to be true, even if they seem to be at variance with commonly known facts, decide which of the conclusions logically follow(s) from the statements.

Statements:

All bears are rabbits.

All rabbits are dogs.

Some dogs are black.

Conclusions.

I- Some rabbits are black.

II- Some dogs are bears.

III- All bears are dogs.

Ans 1. Only conclusions II and III follow.

2. Only conclusions I and II follow.

3. All conclusions follow.

4. Only conclusions I and III follow.

Question ID : 26433070396

Status : Answered

Chosen Option : 1

Q.15 Select the option that is related to the third word in the same way as the second word is related to the first word. (The words must be considered as meaningful English words and must not be related to each other based on the number of letters/number of consonants/vowels in the word.)
Cloth : Closet :: Gun : ?

- Ans
- 1. Armoury
 - 2. Almirah
 - 3. Bullet
 - 4. Chest

Question ID : 26433067853
Status : Answered
Chosen Option : 1

Q.16 Select the set in which the numbers are related in the same way as are the numbers of the following sets.
(NOTE : Operations should be performed on the whole numbers, without breaking down the numbers into its constituent digits. E.g. 13 – Operations on 13 such as adding / subtracting / multiplying etc. to 13 can be performed. Breaking down 13 into 1 and 3 and then performing mathematical operations on 1 and 3 is NOT allowed)
(30, 93, 1)
(42, 132, 2)

- Ans
- 1. (4,60,5)
 - 2. (5,31,29)
 - 3. (14,20,25)
 - 4. (3,30,7)

Question ID : 26433079117
Status : Not Attempted and Marked For Review
Chosen Option : --

Q.17 Select the word-pair that best represents a similar relationship to the one expressed in the pair of words given below. (The words must be considered as meaningful English words and must not be related to each other based on the number of letters/number of consonants/vowels in the word.)
Sparrows : Tree

- Ans
- 1. Cow : Beach
 - 2. Fish : Water
 - 3. Owl : Night
 - 4. Rabbit : Sand

Question ID : 26433065975
Status : Answered
Chosen Option : 2

Q.18 A series is given with one term missing. Select the correct alternative from the given ones that will complete the series.
ACC, UZD, OWE, ITF, ?

- Ans
- 1. REN
 - 2. CRM
 - 3. CMR
 - 4. CQG

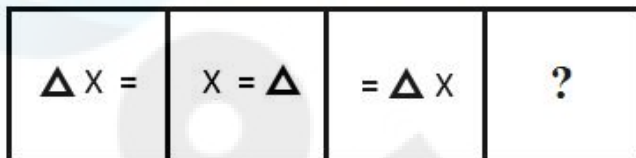
Question ID : 264330104809
Status : Answered
Chosen Option : 4

Q.19 In a certain code language, 'GHOST' is written as 'ONGCB' and 'ABIDE' is written as 'UTMRQ'. How will 'RULES' be written in that language?

- Ans
- 1. DAKQD
 - 2. DAJQD
 - 3. DAJQC
 - 4. WZQJX

Question ID : 26433067330
Status : Answered
Chosen Option : 3

Q.20 Select the figure that will come next in the following series.



Ans

- 1. $\Delta = X$
- 2. $= X \Delta$
- 3. $\Delta X =$
- 4. $X \Delta =$

Question ID : 26433078975
Status : Answered
Chosen Option : 3

Q.21 Three different positions of the same dice are shown. Find the number on the face opposite the face showing '3'.

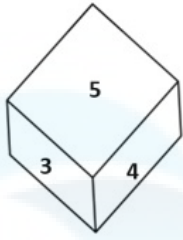


Figure 1

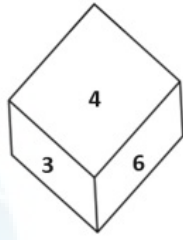


Figure 2

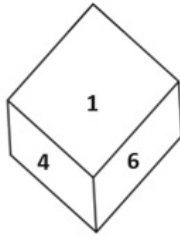
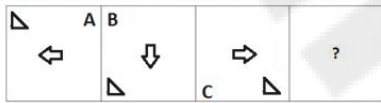


Figure 3

- Ans
- 1. 5
 - 2. 4
 - 3. 1
 - 4. 6

Question ID : 26433081527
 Status : Answered
 Chosen Option : 3

Q.22 Select the figure from among the given options that can replace the question mark (?) in the following series.



Ans

- 1.
- 2.
- 3.
- 4.

Question ID : 26433057860
 Status : Answered
 Chosen Option : 4

Q.23 In the following question below are given some statements followed by some conclusions based on those statements. Taking the given statements to be true even if they seem to be at variance from commonly known facts. Read all the conclusions and then decide which of the given conclusion logically follows the given statements.

Statements:

- I. Some L are R.
- II. Some A are R.

Conclusion:

- I. All A are L.
- II. All R are L.

- Ans
- 1. Only conclusion I follows
 - 2. Neither conclusion follows
 - 3. Only conclusion II follows
 - 4. Both conclusions I and II follows

Question ID : 264330104912
Status : Answered
Chosen Option : 2

Q.24 In a certain code language, 'EARLY' is written as 'ZNSCF' and 'GAUGE' is written as 'FIVCH'. How will 'INBOX' be written in that language?

- Ans
- 1. YQCQJ
 - 2. JPCQY
 - 3. YQCPJ
 - 4. XPBOI

Question ID : 26433067298
Status : Answered
Chosen Option : 3

Q.25 After arranging the given words according to dictionary order, which word will come at 'Third' position?

- 1. Sickle
- 2. Sickly
- 3. Sick
- 4. Sicken
- 5. Sickness

- Ans
- 1. Sick
 - 2. Sickle
 - 3. Sicken
 - 4. Sickly

Question ID : 264330104893
Status : Answered
Chosen Option : 2

Section : General Awareness

Q.1 Who among the following is known as a pioneering dance educationist and a prominent Mohiniyattam exponent?

- Ans
- 1. Madhavi Mudgal
 - 2. Shagun Butani
 - 3. Mohanrao Kallianpurkar
 - 4. Dr Kanak Rele

Question ID : 26433082133
Status : Not Answered
Chosen Option : --

Q.2 According to Mendeleev's periodic table, what was the atomic mass of Eka-aluminium which was later replaced by Gallium?

- Ans
- 1. 95
 - 2. 83
 - 3. 68
 - 4. 50

Question ID : 26433064087
Status : Not Answered
Chosen Option : --

Q.3 What is the outermost layer found in the cell envelope of the bacterial cell called?

- Ans
- 1. Glycocalyx
 - 2. Cell membrane
 - 3. Plasma membrane
 - 4. Cytoplasm

Question ID : 26433087869
Status : Answered
Chosen Option : 2

Q.4 Which of the following Indian classical dance forms uses various colours on face to symbolise the characters?

- Ans
- 1. Odissi
 - 2. Kathakali
 - 3. Bharatanatyam
 - 4. Mohiniattam

Question ID : 26433064646
Status : Answered
Chosen Option : 3

Q.5 President Droupadi Murmu has appointed Dr. Justice Dhananjaya Yashwant Chandrachud as the _____ Chief Justice of India.

- Ans
- 1. 50th
 - 2. 51st
 - 3. 48th
 - 4. 49th

Question ID : 264330105215
Status : Answered
Chosen Option : 1

Q.6 Which Part of the Constitution of India reflects the Fundamental Duties?

- Ans
- 1. Part X
 - 2. Part XII
 - 3. Part IV-A
 - 4. Part IX-B

Question ID : 26433074893
Status : Answered
Chosen Option : 3

Q.7 When did the Mongol ruler Genghis Khan die?

- Ans
- 1. 1219
 - 2. 1210
 - 3. 1235
 - 4. 1227

Question ID : 264330105430
Status : Marked For Review
Chosen Option : 4

Q.8 How many maximum electrons can M shell have?

- Ans
- 1. 18
 - 2. 8
 - 3. 1
 - 4. 2

Question ID : 26433086744
Status : Answered
Chosen Option : 1

Q.9 Merchants and migrants first brought the teachings of the holy Quran to India in the _____ century.

- Ans
- 1. fourth
 - 2. seventh
 - 3. ninth
 - 4. sixth

Question ID : 264330105401
Status : Answered
Chosen Option : 3

Q.10 In 1955, which synthetic element is provisionally named Mendeleevium in honor of Dmitri Mendeleev, who created one of the first periodic tables?

- Ans
- 1. Element 90
 - 2. Element 101
 - 3. Element 103
 - 4. Element 106

Question ID : 26433064080
Status : Answered
Chosen Option : 3

Q.11 In Trans – Siberian railway system Vladivostok lies on _____ coast.

- Ans
- 1. Atlantic
 - 2. Antarctic
 - 3. Arctic
 - 4. Pacific

Question ID : 264330105595
Status : Answered
Chosen Option : 4

Q.12 The crop area under high yielding varieties of which amongst the following crop grew considerably during the Green Revolution?

- Ans
- 1. Sugarcane
 - 2. Pulses
 - 3. Oilseeds
 - 4. Wheat

Question ID : 26433064536
Status : Answered
Chosen Option : 4

Q.13 Who has become the 12th Chief minister of Uttarakhand?

- Ans
- 1. Biren Singh
 - 2. Pramod Sawant
 - 3. Bhagwant Singh Mann
 - 4. Pushkar Singh Dhami

Question ID : 264330105335
Status : Answered
Chosen Option : 4

Q.14 Which of the following statement is correct?

- I. The nutrition requirements of adolescents are higher than adult.
- II. Adolescents are generally grouped in the age group of 10 to 19 years.

- Ans
- 1. Only II
 - 2. Both I and II
 - 3. Neither I nor II
 - 4. Only I

Question ID : 264330105497
Status : Answered
Chosen Option : 1

Q.15 Which Article of the Constitution separates the judiciary from the executive?

- Ans
- 1. Article 143
 - 2. Article 50
 - 3. Article 144
 - 4. Article 74

Question ID : 26433064844
Status : Answered
Chosen Option : 2

Q.16 What do you call a component of identical size that offers a higher resistance to electricity?

- Ans
- 1. Poor conductor
 - 2. Semi- conductor
 - 3. Good conductor
 - 4. very good conductor

Question ID : 26433086698
Status : Answered
Chosen Option : 1

Q.17 In which of the following months did the Australian Open take place in 2022?

- Ans
- 1. February
 - 2. March
 - 3. January
 - 4. April

Question ID : 26433070836
Status : Answered
Chosen Option : 3

Q.18 Which of the following is celebrated as the "Tibetan New Year"?

- Ans
- 1. Lohang
 - 2. Losar
 - 3. Myoko
 - 4. Murung

Question ID : 26433071459
Status : Not Answered
Chosen Option : --

Q.19 Which layer of atmosphere helps in radio transmission?

- Ans
- 1. Exosphere
 - 2. Thermosphere
 - 3. Mesosphere
 - 4. Stratosphere

Question ID : 264330105649
Status : Answered
Chosen Option : 2

Q.20 In Table Tennis, how many lets are allowed in a row on a serve?

- Ans
- 1. Three
 - 2. Unlimited
 - 3. Two
 - 4. One

Question ID : 26433059439
Status : Not Answered
Chosen Option : --

Q.21 The value of GDP at the current prevailing prices is called _____.

- Ans
- 1. nominal GDP
 - 2. current GDP
 - 3. domestic GDP
 - 4. real GDP

Question ID : 264330105372
Status : Answered
Chosen Option : 1

Q.22 During which of the following period Ostriches were found in India?

- Ans
- 1. Mesolithic
 - 2. Chalcolithic
 - 3. Neolithic
 - 4. Palaeolithic

Question ID : 264330105163
Status : Answered
Chosen Option : 2

Q.23 The Maharashtra Department of Prisons has launched a loan scheme for inmates serving sentences in jails across the state. This credit scheme is titled _____.

- Ans
- 1. Jivhala
 - 2. Kishore
 - 3. Sukanya
 - 4. Swavlamban

Question ID : 264330105283
Status : Answered
Chosen Option : 4

Q.24 In which state is the Maihar court where Baba Allauddin Khan was a musician?

- Ans
- 1. Tripura
 - 2. Uttar Pradesh
 - 3. Madhya Pradesh
 - 4. Chhattisgarh

Question ID : 26433064787
Status : Not Answered
Chosen Option : --

Q.25 Which company has set up a factory on the banks of river Hugli in 1651?

- Ans
- 1. Danish
 - 2. Portuguese
 - 3. English
 - 4. French

Question ID : 264330105554
Status : Answered
Chosen Option : 3

Section : Quantitative Aptitude

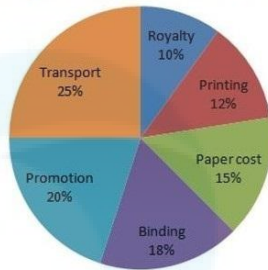
Q.1 If the ratio of corresponding sides of two similar triangles is $\sqrt{3} : \sqrt{2}$ then what is the ratio of the area of the two triangles?

- Ans
- 1. 3 : 2
 - 2. 9 : 4
 - 3. $\sqrt{3} : \sqrt{2}$
 - 4. 27 : 8

Question ID : 264330105821
Status : Answered
Chosen Option : 1

Q.2 Various expenditures incurred by a publishing company for publishing a book in 2018 are given in the following pie-chart. Study the chart and answer the question.

Expenditures of the company



Price printed on a book is 15% above the cost price. If the price printed on a book is ₹942, then the cost of paper for a single copy in ₹ is (rounded off to one decimal place)

- Ans**
- ✓ 1. ₹122.9
 - ✗ 2. ₹188.5
 - ✗ 3. ₹182.5
 - ✗ 4. ₹220.6

Question ID : 26433080060
Status : Answered
Chosen Option : 1

Q.3 In a 100-m race, A beats B by 20 m and B beats C by 20 m. By how much distance does A beat C.

- Ans**
- ✗ 1. 64 m
 - ✗ 2. 24 m
 - ✗ 3. 25 m
 - ✓ 4. 36 m

Question ID : 26433075276
Status : Not Attempted and Marked For Review
Chosen Option : --

Q.4 If one man or two women or four boys or five girls can finish a work in 39 days, then how many days will one man, one woman, one boy and one girl together take to finish the same work?

- Ans**
- ✗ 1. 40
 - ✗ 2. 10
 - ✗ 3. 30
 - ✓ 4. 20

Question ID : 26433079895
Status : Not Answered
Chosen Option : --

Q.5 The value of $\cot 15^\circ \cot 25^\circ \cot 45^\circ \cot 75^\circ \cot 65^\circ$ is:

Ans

- 1. 1
- 2. $\sqrt{3}$
- 3. 2
- 4. $\sqrt{2}$

Question ID : 26433081628
Status : Answered
Chosen Option : 1

Q.6 In triangle PQR, right angled at Q, if $\cot P = \sqrt{3}$, then the value of $\sin P$ is:

Ans

- 1. 1
- 2. $\frac{1}{\sqrt{3}}$
- 3. $\frac{\sqrt{3}}{2}$
- 4. $\frac{1}{2}$

Question ID : 26433061178
Status : Answered
Chosen Option : 4

Q.7 The difference of two numbers is 1564. After dividing the larger number by the smaller, we get 6 as quotient and 19 as remainder. What is the smaller number?

Ans

- 1. 456
- 2. 287
- 3. 623
- 4. 309

Question ID : 26433063766
Status : Not Answered
Chosen Option : --

Q.8 If $a + b + c = 6$, $a^2 + b^2 + c^2 = 14$ and $ab + bc + ca = 11$, then what is the value of $a^3 + b^3 + c^3 - 3abc$?

Ans

- 1. 31
- 2. 12
- 3. 18
- 4. 42

Question ID : 26433065325
Status : Answered
Chosen Option : 3

Q.9 The length of the tangent to a circle from a point P is 15 cm. Point P is 17 cm away from the centre. What is the radius of the circle?

- Ans
- 1. 7 cm
 - 2. 9 cm
 - 3. 8 cm
 - 4. 4 cm

Question ID : 26433074484
Status : Answered
Chosen Option : 3

Q.10 Side of an equilateral triangle is 24 cm. What will be the radius of in circle of this equilateral triangle?

- Ans
- 1. 6 cm
 - 2. 12 cm
 - 3. 8 cm
 - 4. 3 cm

Question ID : 264330105839
Status : Not Attempted and Marked For Review
Chosen Option : --

Q.11 The radius of a right circular cylinder is five times of its height. If the height of the cylinder is 3.5 cm, then what is the volume of cylinder?

- Ans
- 1. 3368.75 cm³
 - 2. 3872.75 cm³
 - 3. 3146.75 cm³
 - 4. 3524.25 cm³

Question ID : 264330105887
Status : Answered
Chosen Option : 1

Q.12 In an election between two candidates, 12% of voters did not cast their votes. The winner by obtaining 68% of the total votes defeated his contestant by 2880 votes. What was the total number of voters who cast their votes in the election?

- Ans
- 1. 5280
 - 2. 8000
 - 3. 4000
 - 4. 6000

Question ID : 26433075347
Status : Not Attempted and Marked For Review
Chosen Option : --

Q.13 A cuboid of length 36 m, breadth 18 m and height 9 m is melted and recast into a cube.
Find the length of the diagonal of the cube.

- Ans
- ✓ 1. $18\sqrt{3}$ m
 - ✗ 2. $15\sqrt{3}$ m
 - ✗ 3. $12\sqrt{3}$ m
 - ✗ 4. $17\sqrt{3}$ m

Question ID : 26433065028
Status : Answered
Chosen Option : 1

Q.14 The following table shows the number of delivery partners (in thousands) who joined five different companies during six different years.

Year	Companies				
	Emazon	Clipkart	Twiggy	Tomato	Pyntra
2016	2.4	4.5	1.2	0.9	4.2
2017	1.8	5.4	1.5	1.2	5.6
2018	3.2	7.2	2.4	2.1	6.3
2019	3.9	5.6	2.8	2.7	6.5
2020	4.2	6.4	3.2	3.3	7.0
2021	5.0	7.2	3.6	3.6	7.2

Find the percentage increase in the number of delivery partners that joined Pyntra from 2017 to 2021.

- Ans
- ✗ 1. 26.57%
 - ✗ 2. 25.87%
 - ✗ 3. 27.58%
 - ✓ 4. 28.57%

Question ID : 26433076414
Status : Answered
Chosen Option : 4

Q.15 Simplify the following.

$$\frac{762 \times 762 \times 762 + 316 \times 316 \times 316}{762 \times 762 - 762 \times 316 + 316 \times 316}$$

- Ans
- ✗ 1. 1064
 - ✗ 2. 1056
 - ✗ 3. 1042
 - ✓ 4. 1078

Question ID : 26433080388
Status : Answered
Chosen Option : 4

Q.16 The price of some wooden furniture increases by 65% when it passes through three hands. If the first and second sellers made a profit of 20% and 25%, respectively, then find the profit percentage of the third seller.

Ans 1. 10%

2. 12.5%

3. 16%

4. 8%

Question ID : 26433065273
Status : Answered
Chosen Option : 1

Q.17 What is the ratio of the fourth proportional of 2, 5, 6 and the fourth proportional of 6, 8, 9?

Ans 1. 3 : 2

2. 5 : 3

3. 3 : 4

4. 5 : 4

Question ID : 26433064986
Status : Answered
Chosen Option : 4

Q.18 If a man travels at $\frac{1}{x}$ km/h on a journey and returns at $\frac{1}{x^2}$ km/h, then his average speed for the journey is:

Ans 1. $\frac{x+1}{x^2}$

2. $\frac{2}{x+x^2}$

3. $\frac{1}{x+x^2}$

4. $\frac{2x^2}{x+1}$

Question ID : 26433061611
Status : Answered
Chosen Option : 2

Q.19 If $k^4 + \frac{1}{k^4} = 194$, then what is the value of $k^3 + \frac{1}{k^3}$?

Ans 1. 42

2. 52

3. 36

4. 18

Question ID : 264330105947
Status : Answered
Chosen Option : 2

Q.20 The HCF of two numbers 2040 and 391 is:

- Ans 1. 17
 2. 21
 3. 16
 4. 18

Question ID : 26433079817
Status : Marked For Review
Chosen Option : 1

Q.21 What annual instalment will discharge a debit of ₹5,664 in 4 years at 12% simple interest?

- Ans 1. ₹1,230
 2. ₹1,210
 3. ₹1,200
 4. ₹1,220

Question ID : 26433076097
Status : Not Answered
Chosen Option : --

Q.22 The table given below shows the production of five companies in two years.

Company	Years	
	Y1	Y2
A	50	100
B	90	120
C	30	80
D	80	50
E	20	40

J1= The average production of A in year Y1 and Y2.
J2 = Sum of production of B, C and D in year Y1 and Y2.
What is the value of (J2/J1)?

- Ans 1. 4
 2. 5
 3. 3
 4. 6

Question ID : 264330105711
Status : Answered
Chosen Option : 4

Q.23 Study the given table and answer the question that follows.

Find the difference between the number of female students and male students who opted biology in school C.

School name	Total number of students enrolled	Percentage of enrolled students, opted Biology	Ratio of male to female students who opted Biology
A	900	30	7:8
B	400	38	9:10
C	1000	24	1:2
D	800	18	5:7

- Ans
- 1. 240
 - 2. 160
 - 3. 200
 - 4. 80

Question ID : 26433092151
Status : Answered
Chosen Option : 1

Q.24 How far will the tip of a 2cm-long minute hand of a clock move in 45 minutes?

- Ans
- 1. π cm
 - 2. 3π cm
 - 3. 4π cm
 - 4. 2π cm

Question ID : 26433061605
Status : Answered
Chosen Option : 2

Q.25 Sunil purchased a fan at a 10% discount on the labelled price. If he had purchased it at a 15% discount, he would have saved ₹400. Find the labelled price of the fan.

- Ans
- 1. ₹8,400
 - 2. ₹7,500
 - 3. ₹800
 - 4. ₹8,000

Question ID : 26433076183
Status : Answered
Chosen Option : 4

Section : English Comprehension

Q.1 Select the option that can be used as a one-word substitute for the given group of words/phrase.

Adjust or make right; correct, amend

- Ans
- 1. Recruit
 - 2. Recreate
 - 3. Recourse
 - 4. Rectify

Question ID : 26433059785
Status : Answered
Chosen Option : 4

Q.2 A sentence has been given with a blank to be filled with an appropriate word. Choose the correct alternative.

Be it a chaat or a refreshing lemonade, lemon is the need of the hour in _____ summers.

- Ans
- 1. banging
 - 2. freezing
 - 3. scorching
 - 4. alleviating

Question ID : 264330104761
Status : Answered
Chosen Option : 3

Q.3 The following sentence has been split into four segments. Identify the segment that contains a grammatical error.

They will go to bed / early since they / have to get up / at five on the morning.

- Ans
- 1. have to get up
 - 2. at five on the morning
 - 3. They will go to bed
 - 4. early since they

Question ID : 26433092266
Status : Answered
Chosen Option : 2

Q.4 Select the sentence with the appropriate use of preposition.

- Ans
- 1. It has been raining till morning.
 - 2. It has been raining from morning.
 - 3. It has been raining by morning.
 - 4. It has been raining since morning.

Question ID : 26433073897
Status : Answered
Chosen Option : 4

Q.5 Select the most appropriate option that can substitute the underlined segment in the given sentence.

Our office is in the 2nd floor of the skyscraper.

- Ans
- 1. is for the 2nd floor
 - 2. is on the 2nd floor
 - 3. is with the 2nd floor
 - 4. is at the 2nd floor

Question ID : 26433088747
Status : Answered
Chosen Option : 2

Q.6 Select the option that can be used as a one-word substitute for the given group of words.

Having or showing an excessively high opinion of one's appearance, abilities, or worth

- Ans
- 1. Superior
 - 2. Vain
 - 3. Otiose
 - 4. Domineering

Question ID : 26433070669
Status : Answered
Chosen Option : 4

Q.7 Select the most appropriate option to complete the given sentence.
One must learn to _____ a line between one's private and professional life.

- Ans
- 1. draw
 - 2. catch
 - 3. bring
 - 4. get

Question ID : 26433084706
Status : Answered
Chosen Option : 1

Q.8 Select the option that can be used as a one-word substitute for the given group of words.

The date when both, day and night are of approximately equal length

- Ans
- 1. Equilibrium
 - 2. Equine
 - 3. Equator
 - 4. Equinox

Question ID : 26433070707
Status : Answered
Chosen Option : 4

Q.9 Select the most appropriate meaning of the given idiom.

Beat around the bush

- Ans
- 1. Avoid praising someone and demean
 - 2. Avoid the main point by talking in a roundabout way
 - 3. Avoid saying what you mean, usually because it is not funny
 - 4. Avoid using foul words to make someone uncomfortable

Question ID : 26433070649
Status : Answered
Chosen Option : 2

Q.10 Select the INCORRECTLY spelt word.

- Ans 1. Belief
 2. Beneth
 3. Belly
 4. Bellow

Question ID : 26433060907
Status : Answered
Chosen Option : 2

Q.11 Select the most appropriate ANTONYM of the underlined word.
Regardless of their diversity, all flowers have a uniform function, the reproduction of the species through the production of seed.

- Ans 1. Melancholy
 2. Equilibrium
 3. Affinity
 4. Uniformity

Question ID : 26433061570
Status : Answered
Chosen Option : 4

Q.12 Select the most appropriate synonym of the underlined word in the following sentence.
Visiting a book fair always fills my heart with a great satisfaction.

- Ans 1. refreshment
 2. pride
 3. contentment
 4. bliss

Question ID : 26433066415
Status : Answered
Chosen Option : 3

Q.13 Select the correct active form of the given sentence.
Was the message given by him?

- Ans 1. Was he given the message?
 2. Does he give the message?
 3. Did he gave the message?
 4. Did he give the message?

Question ID : 264330104581
Status : Answered
Chosen Option : 3

Q.14 Select the most appropriate synonym of the given word.

Deliberate

- Ans 1. Casual
 2. Hasty
 3. Planned
 4. Rushed

Question ID : 26433071872
Status : Answered
Chosen Option : 3

Q.15 Select the correct indirect form of the given sentence.
She said, "She must leave all the bad habits."

- Ans
- 1. She said she has to leave all the bad habits
 - 2. She said that she must have leave all the bad habits
 - 3. She said that she had to leave all the bad habits.
 - 4. She said that she could leave all the bad habits

Question ID : 264330104621
Status : Answered
Chosen Option : 3

Q.16 Select the most appropriate synonym of the given word.

Magnify

- Ans
- 1. Expand
 - 2. Magnanimous
 - 3. Miniature
 - 4. Underemphasise

Question ID : 26433071870
Status : Answered
Chosen Option : 1

Q.17 Choose the incorrectly spelt word.

- Ans
- 1. Clemency
 - 2. Avariciuos
 - 3. Hegemony
 - 4. Nostalgic

Question ID : 264330104751
Status : Answered
Chosen Option : 2

Q.18 Select the option that expresses the given sentence in passive voice.

All his friends laughed at him.

- Ans
- 1. He became laughable to his friends.
 - 2. He was laughed at by all his friends.
 - 3. His friends were being laughed at by him.
 - 4. All his friends were laughing at him.

Question ID : 26433097539
Status : Answered
Chosen Option : 2

Q.19 Select the option that can be used as a one-word substitute for the given group of words.

One who has the ability to do many different things

- Ans
- 1. Versatile
 - 2. Adaptable
 - 3. Expert
 - 4. Specialist

Question ID : 26433060906
Status : Answered
Chosen Option : 1

Q.20 Rearrange the parts of the sentence in correct order.

There are

P. reports that toy shops and other

Q. to prepare for the Christmas rush

R. non-food retailers are struggling to

S. get enough stock into their warehouses

Ans 1. RPSQ

2. PRSQ

3. SQRP

4. QRPS

Question ID : 264330104682

Status : Answered

Chosen Option : 2

Comprehension:

In the following passage, some words have been deleted. Read the passage carefully and select the most appropriate option to fill in each blank.

Memory loss, with aging, is (1)_____ a natural and normal (2)_____. The symptoms range from forgetting simple daily life activities and (3)_____ familiar tasks such as driving or baking. However, there can be several other factors (4)_____ for it and these vary from person to person. Memory loss can be (5)_____ or total depending upon the condition.

SubQuestion No : 21

Q.21 Select the most appropriate option to fill in blank number 1.

Ans 1. consider

2. denied

3. regard

4. considered

Question ID : 26433088114

Status : Answered

Chosen Option : 4

Comprehension:

In the following passage, some words have been deleted. Read the passage carefully and select the most appropriate option to fill in each blank.

Memory loss, with aging, is (1)_____ a natural and normal (2)_____. The symptoms range from forgetting simple daily life activities and (3)_____ familiar tasks such as driving or baking. However, there can be several other factors (4)_____ for it and these vary from person to person. Memory loss can be (5)_____ or total depending upon the condition.

SubQuestion No : 22

Q.22 Select the most appropriate option to fill in blank number 2.

Ans 1. trial

2. type

3. method

4. process

Question ID : 26433088115

Status : Answered

Chosen Option : 4

Comprehension:

In the following passage, some words have been deleted. Read the passage carefully and select the most appropriate option to fill in each blank.

Memory loss, with aging, is (1)_____ a natural and normal (2)_____. The symptoms range from forgetting simple daily life activities and (3)_____ familiar tasks such as driving or baking. However, there can be several other factors (4)_____ for it and these vary from person to person. Memory loss can be (5)_____ or total depending upon the condition.

SubQuestion No : 23

Q.23 Select the most appropriate option to fill in blank number 3.

- Ans
- 1. prospering
 - 2. acknowledging
 - 3. rectifying
 - 4. performing

Question ID : 26433088116
Status : **Marked For Review**
Chosen Option : 3

Comprehension:

In the following passage, some words have been deleted. Read the passage carefully and select the most appropriate option to fill in each blank.

Memory loss, with aging, is (1)_____ a natural and normal (2)_____. The symptoms range from forgetting simple daily life activities and (3)_____ familiar tasks such as driving or baking. However, there can be several other factors (4)_____ for it and these vary from person to person. Memory loss can be (5)_____ or total depending upon the condition.

SubQuestion No : 24

Q.24 Select the most appropriate option to fill in blank number 4.

- Ans
- 1. commendable
 - 2. responsible
 - 3. affluent
 - 4. significance

Question ID : 26433088117
Status : **Answered**
Chosen Option : 2

Comprehension:

In the following passage, some words have been deleted. Read the passage carefully and select the most appropriate option to fill in each blank.

Memory loss, with aging, is (1)_____ a natural and normal (2)_____. The symptoms range from forgetting simple daily life activities and (3)_____ familiar tasks such as driving or baking. However, there can be several other factors (4)_____ for it and these vary from person to person. Memory loss can be (5)_____ or total depending upon the condition.

SubQuestion No : 25

Q.25 Select the most appropriate option to fill in blank number 5.

- Ans
- 1. partial
 - 2. partially
 - 3. completely
 - 4. incomplete

Question ID : 26433088118
Status : **Answered**
Chosen Option : 1