

Combined Graduate level Examination 2023 Tier I

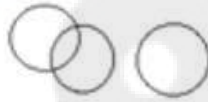
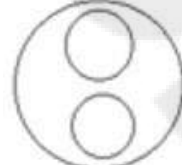
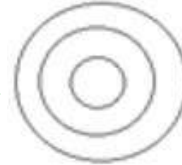

Roll Number	
Candidate Name	
Exam Date	26/07/2023
Exam Time	5:15 PM - 6:15 PM
Subject	Combined Graduate Level Examination Tier I 2023

Section : General Intelligence and Reasoning

Q.1 Select the Venn diagram that best illustrates the relationship between the following classes.

Reptiles, Alligators, Animals

Ans

- ✗ 1. 
- ✗ 2. 
- ✓ 3. 
- ✗ 4. 

Question ID : 26433097428
Status : Marked For Review
Chosen Option : 3

Q.2 Which of the following letter-clusters will replace the question mark (?) in the given series?

WTDH, URGK, SPJN, ?, OLPT

- Ans ✓ 1. QNMQ
- ✗ 2. QNLP
- ✗ 3. QMNP
- ✗ 4. RNMQ

Question ID : 26433082628
Status : Answered
Chosen Option : 1

Q.3 Select the set in which the numbers are NOT related in the same way as are the numbers of the following set.
(NOTE : Operations should be performed on the whole numbers, without breaking down the numbers into their constituent digits. E.g. 13 – Operations on 13 such as adding/subtracting/multiplying etc. to 13 can be performed. Breaking down 13 into 1 and 3 and then performing mathematical operations on 1 and 3 is not allowed.)
(5, 13, 16)
(4, 11, 14)

- Ans
- 1. (8, 13, 10)
 - 2. (12, 21, 18)
 - 3. (7, 17, 20)
 - 4. (9, 21, 26)

Question ID : 26433079015
Status : Answered
Chosen Option : 4

Q.4 If '+' means 'subtraction', '-' means 'multiplication', '+' means 'addition' and 'x' means 'division', then what is the value of the following expression?
 $26 - 13 + 144 \times 18 \div 81$

- Ans
- 1. 292
 - 2. 411
 - 3. 405
 - 4. 144

Question ID : 264330133146
Status : Answered
Chosen Option : 2

Q.5 Select the set in which the numbers are related in the same way as are the numbers of the following sets.
(NOTE : Operations should be performed on the whole numbers, without breaking down the numbers into its constituent digits. E.g. 13 – Operations on 13 such as adding/Subtracting/multiplying etc. to 13 can be performed. Breaking down 13 into 1 and 3 and then performing mathematical operations on 1 and 3 is not allowed)
(60, 15, 40)
(100, 50, 20)

- Ans
- 1. (200, 40, 50)
 - 2. (12, 45, 89)
 - 3. (10, 5, 30)
 - 4. (40, 8, 10)

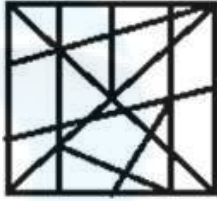
Question ID : 26433089577
Status : Answered
Chosen Option : 1

Q.6 Select the option figure in which the given figure is embedded (rotation is NOT allowed).

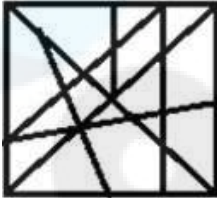


Ans

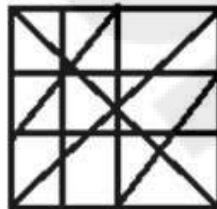
1.



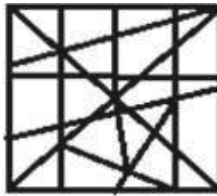
2.



3.



4.



Question ID : 26433067435
Status : Answered
Chosen Option : 3

Q.7 'A + B' means 'A is the brother of B'.
'A - B' means 'A is the mother of B'.
'A × B' means 'A is the husband of B'.
'A ÷ B' means 'A is the sister of B'.
If $P \div Q - R + S - K \times L$, then which of the following statements is correct?.

Ans 1. Q is L's mother

2. R is K's mother's brother

3. Q is S's sister

4. R is L's husband's brother

Question ID : 264330122372
Status : Answered
Chosen Option : 2

Q.8 Select the number from among the given options that can replace the question mark (?) in the following series.
2, 6, 9, 27, 30, 90, ?

Ans 1. 85

2. 88

3. 90

4. 93

Question ID : 26433067511
Status : Answered
Chosen Option : 4

Q.9 The second number in the given number-pairs is obtained by performing certain mathematical operation(s) on the first number. The same operation(s) is/are followed in all the number-pairs except one. Find that odd number-pair.

Ans 1. 15 : 34

2. 1 : 6

3. 7 : 18

4. 18 : 42

Question ID : 264330143703
Status : Answered
Chosen Option : 4

Q.10 Select the figure from the options that can replace the question mark (?) and complete the given pattern.

S L A T E D	A L S D E T	T E L S D A	L E T A D S	?
-------------	-------------	-------------	-------------	---

Ans

✗ 1. S T E D A L

✗ 2. S L E T A D

✗ 3. S D A T E L

✓ 4. S D E T A L

Question ID : 26433085804
Status : Answered
Chosen Option : 4

Q.11 'Fair' is related to 'Righteous' in the same way as 'Cunning' is related to '_____'.
Ans

✗ 1. Person

✗ 2. Personality

✓ 3. Deceit

✗ 4. Character

Question ID : 264330102988
Status : Answered
Chosen Option : 3

Q.12 Select the set in which the numbers are related in the same way as are the numbers of the given sets.

(NOTE : Operations should be performed on the whole numbers, without breaking down the numbers into its constituent digits. E.g. 13 – Operations on 13 such as adding /Subtracting /multiplying etc. to 13 can be performed. Breaking down 13 into 1 and 3 and then performing mathematical operations on 1 and 3 is NOT allowed)
(15, 23, 31)
(33, 41, 49)

- Ans 1. (21, 29, 43)
 2. (20, 28, 36)
 3. (20, 33, 28)
 4. (35, 43, 56)

Question ID : 264330130205
Status : Answered
Chosen Option : 2

Q.13 Select the set in which the numbers are related in the same way as are the numbers of the following sets.

(NOTE : Operations should be performed on the whole numbers, without breaking down the numbers into its constituent digits. E.g. 13 – Operations on 13 such as adding /Subtracting /multiplying etc. to 13 can be performed. Breaking down 13 into 1 and 3 and then performing mathematical operations on 1 and 3 is NOT allowed)

(7, 65)
(11, 145)

- Ans 1. (15, 140)
 2. (8, 82)
 3. (12, 168)
 4. (9, 70)

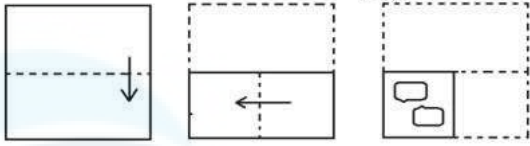
Question ID : 264330144430
Status : Answered
Chosen Option : 2

Q.14 Which of the following interchanges of signs would make the given equation correct?
 $50 - 25 \div 5 \times 3 + 6 = 59$

- Ans 1. + and ×
 2. + and +
 3. × and –
 4. – and +

Question ID : 264330114240
Status : Answered
Chosen Option : 4

Q.15 The sequence of folding a piece of paper and the manner in which the folded paper has been cut is shown below. Choose the figure that would most closely resemble the unfolded form of the paper.

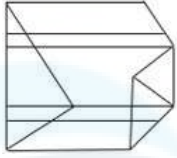


Ans

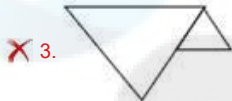
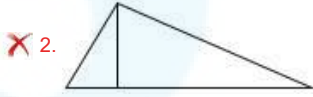
- ✘ 1.
- ✘ 2.
- ✘ 3.
- ✔ 4.

Question ID : 26433067441
 Status : Answered
 Chosen Option : 4

Q.16 Select the option figure which is embedded in the given figure (rotation is NOT allowed).



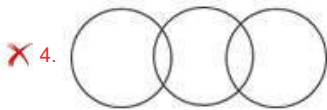
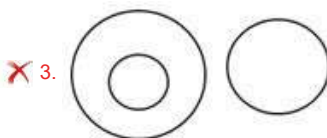
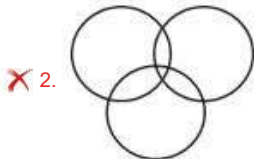
Ans



Question ID : 26433097258
Status : Answered
Chosen Option : 4

Q.17 Select the Venn diagram that best represents the relationship between the following classes.
Fairies, Mythical creatures, Unicorns

Ans



Question ID : 26433093151
Status : Answered
Chosen Option : 3

Q.18 Select the option that represents the correct order of the given words as they would appear in an English dictionary.

1. Dither
2. Defiance
3. Dramatic
4. Dedicated
5. Differentiate
6. Diabolical

- Ans
- 1. 3, 6, 4, 2, 5, 1
 - 2. 4, 2, 6, 5, 1, 3
 - 3. 4, 6, 2, 5, 3, 1
 - 4. 3, 2, 4, 6, 5, 1

Question ID : 264330129464
Status : Answered
Chosen Option : 2

Q.19 Select the correct mirror image of the given figure when the mirror is placed at the right side of the figure.



Ans

- 1.
- 2.
- 3.
- 4.

Question ID : 26433068182
Status : Answered
Chosen Option : 4

Q.20 In a certain code language, 'PEN' is coded as 9 and 'PAPER' is coded as 25. How will 'CHAPTER' be coded in the same language?

- Ans
- 1. 36
 - 2. 49
 - 3. 24
 - 4. 42

Question ID : 264330129756
Status : Answered
Chosen Option : 2

Q.21 In a certain code language, 'APRIL' is coded as 'CSTLN' and 'MARCH' is coded as "ODTFJ". How will 'JUNE' be coded in that language?

- Ans
- 1. KWPH
 - 2. KXPH
 - 3. LXPH
 - 4. LWPI

Question ID : 264330132103
Status : Answered
Chosen Option : 3

Q.22 उस विकल्प का चयन करें जो तीसरे शब्द से उसी प्रकार संबंधित है जिस प्रकार दूसरा शब्द पहले शब्द से संबंधित है। (शब्दों को अर्थपूर्ण हिन्दी शब्दों के रूप में माना जाना चाहिए और इन्हें शब्द में अक्षरों की संख्या/व्यंजनों की संख्या/स्वरों की संख्या के आधार पर एक-दूसरे से संबद्ध नहीं किया जाना चाहिए।)
फाउंटेन पेन : वाटरमैन :: टेलीस्कोप : ?

- Ans
- 1. गैलिलियो
 - 2. मैकमिलन
 - 3. रॉबर्ट हुक
 - 4. न्यूटन

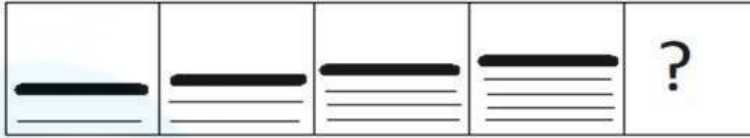
Question ID : 26433067357
Status : Answered
Chosen Option : 2

Q.23 Three of the following letter-clusters are alike in some manner and hence form a group. Which letter-cluster does not belong to that group?

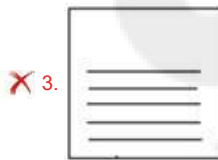
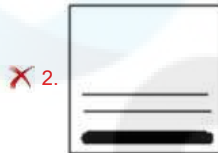
- Ans
- 1. OPK
 - 2. ABY
 - 3. LMO
 - 4. IJQ

Question ID : 264330118640
Status : Answered
Chosen Option : 3

Q.24 Select the figure from among the given options that can replace the question mark (?) in the following series.



Ans



Question ID : 26433087152
 Status : Answered
 Chosen Option : 4

Q.25 Select the option that represents the letters that, when placed from left to right in the blanks below, will complete the letter series.
 L _ N N _ _ M N N N _ M N N N _

- Ans
- ✗ 1. L M M N L
 - ✗ 2. M N N L M
 - ✓ 3. M N L L N
 - ✗ 4. L M N N L

Question ID : 264330143728
 Status : Answered
 Chosen Option : 3

Section : General Awareness

Q.1 Who among the following Indian music directors, specially known as a leading drummer of India, was awarded the Padma Shri in 2019?

- Ans
- ✓ 1. Sivamani
 - ✗ 2. Nucleya
 - ✗ 3. Bappi Lahiri
 - ✗ 4. Naushad

Question ID : 26433074817
 Status : Not Answered
 Chosen Option : --

Q.2 The 'Joempa Legso' is a welcome dance of _____.

- Ans
- 1. Afghanistan
 - 2. Bhutan
 - 3. Sri Lanka
 - 4. Bangladesh

Question ID : 264330113309
Status : Not Answered
Chosen Option : --

Q.3 Following an order of 16 July 2021, the Supreme Court of India introduced an electronic system named _____, in November 2021, through which its crucial decisions can be communicated electronically to prison authorities and investigating agencies.

- Ans
- 1. INSTANT
 - 2. FASTER
 - 3. RAPID
 - 4. QUICKER

Question ID : 26433081854
Status : Not Answered
Chosen Option : --

Q.4 Select the correct statement from the given options.

- Ans
- 1. There is very little temperature difference between day and night in the coastal areas of Kerala.
 - 2. There is very little temperature difference between day and night in Rajasthan.
 - 3. There is extreme cold in southern India during winter season.
 - 4. There is plenty of rain observed in central India throughout the year.

Question ID : 26433064180
Status : Answered
Chosen Option : 4

Q.5 By what name did Allauddin Khilji build his capital?

- Ans
- 1. Khijrabad
 - 2. Siri
 - 3. Dinpanah
 - 4. Rajpithora

Question ID : 264330114035
Status : Marked For Review
Chosen Option : 3

Q.6 Narali Poornima marks the end of monsoon season in which Indian state?

- Ans
- 1. Bihar
 - 2. West Bengal
 - 3. Maharashtra
 - 4. Tamil Nadu

Question ID : 264330109606
Status : Not Answered
Chosen Option : --

Q.7 Dhalo is a folk dance of which Indian state?

- Ans
- 1. Tamil Nadu
 - 2. Uttar Pradesh
 - 3. Madhya Pradesh
 - 4. Goa

Question ID : 264330109590
Status : Answered
Chosen Option : 4

Q.8 The policy of dual system of government of Bengal was the brainchild of which Governor-General?

- Ans
- 1. Lord Hastings
 - 2. Lord Clive
 - 3. Lord Lytton
 - 4. Lord Dalhousie

Question ID : 264330134589
Status : Answered
Chosen Option : 2

Q.9 Identify the ODD one out.

- Ans
- 1. Modern agricultural technology
 - 2. White revolution
 - 3. Green revolution
 - 4. Seed-fertiliser-water technology

Question ID : 264330112481
Status : Answered
Chosen Option : 4

Q.10 In which of the following years did the Indian Premier League begin?

- Ans
- 1. 2010
 - 2. 2007
 - 3. 2009
 - 4. 2008

Question ID : 264330118434
Status : Not Answered
Chosen Option : --

Q.11 The FIFA U-17 Women's World Cup 2022 was hosted by _____.

- Ans
- 1. Qatar
 - 2. Bangladesh
 - 3. India
 - 4. Indonesia

Question ID : 264330109703
Status : Answered
Chosen Option : 1

Q.12 In which state is the Gorumara National Park located?

- Ans 1. Assam
 2. West Bengal
 3. Uttarakhand
 4. Bihar

Question ID : 264330113291
Status : Answered
Chosen Option : 2

Q.13 Mrinalini Vikram Sarabhai, the Bharatanatyam legend, was also recognised for which of the following dance forms?

- Ans 1. Kathak
 2. Kathakali
 3. Kuchipudi
 4. Odissi

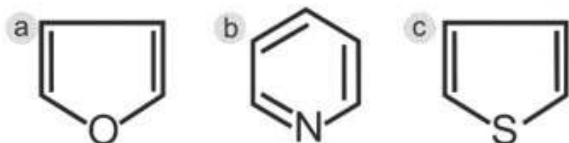
Question ID : 26433055430
Status : Marked For Review
Chosen Option : 2

Q.14 In which period is the first inscriptional example of the practice of Sati found?

- Ans 1. Maukhari
 2. Vardhana
 3. Satavahana
 4. Gupta

Question ID : 264330114030
Status : Not Attempted and Marked For Review
Chosen Option : --

Q.15 Choose the correct set of the names for the organic compounds in the given figure.



- Ans 1. a: Furan, b: Toluene, c: Pyridine
 2. a: Furan, b: Pyridine, c: Thiophene
 3. a: Furan, b: Thiophene, c: Aniline
 4. a: Anisole, b: Thiophene, c: Pyridine

Question ID : 264330131673
Status : Not Attempted and Marked For Review
Chosen Option : --

Q.16 In 1942, the British government sent the _____ mission to India.

- Ans 1. Cripps
 2. Linlithgow
 3. Cabinet
 4. Lansdowne

Question ID : 264330111398
Status : Answered
Chosen Option : 1

Q.17 Which state ranked first among the 18 large and mid-sized states (with population of over one crore each) in justice delivery in India as per the second edition of the India Justice Report?

- Ans
- 1. Maharashtra
 - 2. Tamil Nadu
 - 3. West Bengal
 - 4. Karnataka

Question ID : 26433090642
Status : Not Attempted and Marked For Review
Chosen Option : --

Q.18 What is the duty of the Chief Minister, as mentioned under Article 167 of the Indian Constitution?

- Ans
- 1. Communication of all decisions of the Council of Ministers to the Governor.
 - 2. Appointment and removal of Council of the Ministers.
 - 3. Appointment of the Speaker of the Legislative Assembly.
 - 4. Appointment of Advocate General of the state in consultation with Attorney general.

Question ID : 264330137423
Status : Marked For Review
Chosen Option : 4

Q.19 Which water-soluble pigment belonging to a phenolic group is present in pomegranate, eggplant, black carrots and red cabbage?

- Ans
- 1. Phycoerythrin
 - 2. Phycobilins
 - 3. Betalains
 - 4. Anthocyanins

Question ID : 264330113487
Status : Not Attempted and Marked For Review
Chosen Option : --

Q.20 Match the columns.

Column-A (Disorder)

- i. Gaucher disease
- ii. Hunter syndrome
- iii. Tay-Sachs disease
- iv. Phenylketonuria

Column-B (Enzyme)

- a. Phenylalanine hydroxylase
- b. Hexosaminidase A
- c. Iduronate-2-sulfatase
- d. Glucocerebrosidase

- Ans
- 1. i-a, ii-b, iii-c, iv-d
 - 2. i-b, ii-c, iii-a, iv-d
 - 3. i-d, ii-c, iii-b, iv-a
 - 4. i-b, ii-a, iii-d, iv-c

Question ID : 264330109924
Status : Not Answered
Chosen Option : --

Q.21 Which Article of the Indian Constitution prohibits religious instructions in any state-funded educational institution?

- Ans
- 1. Article 28
 - 2. Article 29
 - 3. Article 30
 - 4. Article 27

Question ID : 264330144216
Status : **Marked For Review**
Chosen Option : 1

Q.22 Which of the followings is NOT an example of factor payment?

- Ans
- 1. Interest
 - 2. Wages
 - 3. Rent
 - 4. Pension

Question ID : 264330109373
Status : **Not Answered**
Chosen Option : --

Q.23 Which is the largest container port in India?

- Ans
- 1. Kandla Port
 - 2. Jawaharlal Nehru Port
 - 3. Kolkata Port
 - 4. Hazira Port

Question ID : 264330110639
Status : **Answered**
Chosen Option : 1

Q.24 Which sportsperson was named by homegrown pharma major Lupin Ltd as a brand ambassador for its Shakti campaign in 2022?

- Ans
- 1. Rahul Dravid
 - 2. Mithali Raj
 - 3. Mary Kom
 - 4. PV Sindhu

Question ID : 26433081844
Status : **Not Answered**
Chosen Option : --

Q.25 किस भौतिक इकाई को उस क्षेत्र की तीव्रता के रूप में परिभाषित किया जाता है, जो चालक के प्रति मीटर प्रति एम्पीयर (A) बल के लिए एक न्यूटन (N) का उत्पादन करती है?

- Ans
- 1. कैंडेला
 - 2. कूलाम
 - 3. टेस्ला
 - 4. पास्कल

Question ID : 264330110040
Status : **Marked For Review**
Chosen Option : 2

Section : **Quantitative Aptitude**

Q.1 In 1 km linear race, P beats Q by 120 metres or 30 sec. What is the time taken by P to cover the race?

- Ans 1. 220 sec
 2. 250 sec
 3. 235 sec
 4. 240 sec

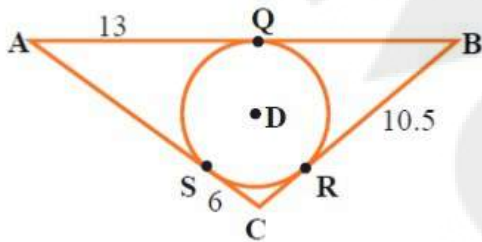
Question ID : 26433091509
Status : Answered
Chosen Option : 1

Q.2 Find the value of the given expression $14 \div 7 \times 1 + 3 - [18 - \{15 - (7 - 7 - 2)\}]$

- Ans 1. 5
 2. 6
 3. 4
 4. 3

Question ID : 264330143507
Status : Answered
Chosen Option : 3

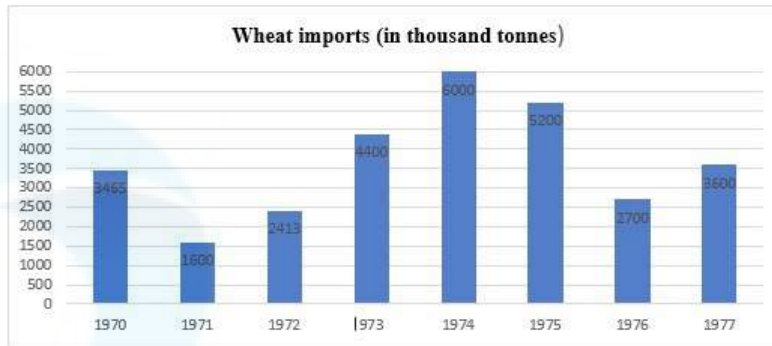
Q.3 Triangle ABC is circumscribed around circle D. Segments AQ, BR and SC measure 13, 10.5 and 6 cm, respectively. The perimeter of triangle ABC is:



- Ans 1. 29.5 cm
 2. 59 cm
 3. 108 cm
 4. 15 cm

Question ID : 26433086283
Status : Answered
Chosen Option : 2

Q.4 Study the graph carefully.



The decrease in imports in 1976 was what percent of the imports in 1975?

- Ans
- 1. 48.07%
 - 2. 49%
 - 3. 48%
 - 4. 50%

Question ID : 26433096369
Status : Answered
Chosen Option : 1

Q.5 If $(a + b + c) = 14$, and $(a^3 + b^3 + c^3 - 3abc) = 98$, find the value of $(ab + bc + ca)$.

- Ans
- 1. 60
 - 2. 64
 - 3. 65
 - 4. 63

Question ID : 264330101360
Status : Answered
Chosen Option : 4

Q.6 If $A = 22.5^\circ$, what is the value of $(10\sqrt{2} \sin 2A - 7\sqrt{2} \cos 2A + 9 \tan 2A)$?

- Ans
- 1. 12
 - 2. 15
 - 3. 10
 - 4. 6

Question ID : 264330143620
Status : Answered
Chosen Option : 1

Q.7 The sum of the cubes of two given natural numbers is 9728, while the sum of the two given numbers is 32. What is the product of the two given numbers?

- Ans
- 1. 160
 - 2. 320
 - 3. 240
 - 4. 200

Question ID : 264330101350
Status : Answered
Chosen Option : 3

Q.8 The force (in pound-force) needed to keep a car from skidding on a curve varies directly with the weight of the car (in pounds) and the square of its speed (in miles per hour [mph]) and inversely with the radius (in feet) of the curve. Suppose 6125 pound-force is required to keep a 2750 pound car, travelling at a speed of 35 mph, from skidding on a curve of radius 550 feet. How much pound-force is then required to keep a 3600 pound car, travelling at a speed of 50 mph, from skidding on a curve of radius 750 feet?

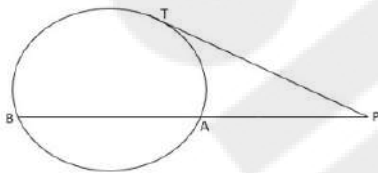
- Ans
- 1. 11960
 - 2. 12150
 - 3. 12240
 - 4. 12000

Question ID : 264330143469

Status : **Not Attempted and Marked For Review**

Chosen Option : --

Q.9 In the figure, PT is a tangent. If $TP=12$ cm, $PB=x+7$ cm and $PA= x$ cm, then find the value of x .



- Ans
- 1. 9
 - 2. 6
 - 3. 7
 - 4. 5

Question ID : 264330143602

Status : **Answered**

Chosen Option : 1

Q.10 Study the given table and answer the question that follows.

The table shows the marks distribution among the students in a class.

Marks	No. of Students
Less than 10	2
Less than 20	5
Less than 30	6
Less than 40	8
Less than 50	10

How many students scored more than 40 marks?

- Ans
- 1. 2
 - 2. 4
 - 3. 5
 - 4. 3

Question ID : 264330143450

Status : **Answered**

Chosen Option : 1

Q.11 A sum of money at simple interest amounts to ₹1,200 in 3 years and to ₹1,350 in 4 years. The sum is:

- Ans
- 1. ₹650
 - 2. ₹850
 - 3. ₹450
 - 4. ₹750

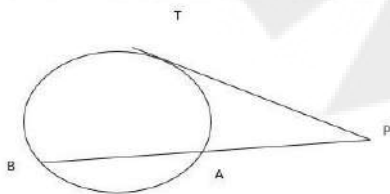
Question ID : 264330104518
Status : Answered
Chosen Option : 4

Q.12 What smallest positive number should be subtracted from 2 and 3 so that 4 is the third proportion to them?

- Ans
- 1. 1
 - 2. 2
 - 3. 4
 - 4. 3

Question ID : 26433099040
Status : Answered
Chosen Option : 1

Q.13 Find the value of x in the given figure where TP (tangent on point T) = 15 cm, $PB = 2x + 3$ cm, $PA = 9$ cm.



- Ans
- 1. 21 cm
 - 2. 18 cm
 - 3. 15 cm
 - 4. 11 cm

Question ID : 264330122576
Status : Answered
Chosen Option : 4

Q.14 Ram bought a cell phone and paid 30% less than its original price. He sold it at 50% profit on the price he had paid. The percentage of profit earned by Ram on the original price was:

- Ans
- 1. 25%
 - 2. 50%
 - 3. 15%
 - 4. 5%

Question ID : 26433081019
Status : Answered
Chosen Option : 4

Q.15 In an examination of 7 papers of 100 marks each, there were 3 mathematics papers, 2 English papers and 2 Hindi papers. D gets average marks of 45, 55 and 60 in mathematics, English and Hindi, respectively. What are the average marks per paper?

- Ans
- 1. 56.5
 - 2. 52.1
 - 3. 55.6
 - 4. 54.1

Question ID : 264330130167
Status : Answered
Chosen Option : 2

Q.16 What is $\tan \frac{\theta}{2}$?

- Ans
- 1. $\frac{\cos\theta}{1 - \sin\theta}$
 - 2. $\frac{\sin\theta}{1 - \cos\theta}$
 - 3. $\frac{\cos\theta}{1 - \cos\theta}$
 - 4. $\frac{\sin\theta}{1 + \cos\theta}$

Question ID : 264330122107
Status : Answered
Chosen Option : 4

Q.17 If the volume of a cube is 4096 cm^3 , then what is the length of the side of the cube?

- Ans
- 1. 12 cm
 - 2. 18 cm
 - 3. 16 cm
 - 4. 14 cm

Question ID : 26433075712
Status : Answered
Chosen Option : 3

Q.18 $\sin 60^\circ \cos 75^\circ + \sin 150^\circ \cos 240^\circ = ?$

- Ans
- 1. $\frac{2}{3}$
 - 2. 1
 - 3. $\frac{1}{2}$
 - 4. -1

Question ID : 26433075425
Status : Answered
Chosen Option : 4

Q.19 Expand and simplify the algebraic expression:

$$(x-5)^2 + (x+3)^2 + 4x$$

- Ans
- 1. $2(x^2 - 17)$
 - 2. $2(x^2 + 17)$
 - 3. $(x^2 + 17)$
 - 4. $2(x^2 - 5x + 17)$

Question ID : 264330145536
Status : Answered
Chosen Option : 2

Q.20 15 men complete a work in 10 days. 15 women complete the same work in 12 days. If all these men and women work together, then the number of days required to complete that work is:

- Ans
- 1. $5\frac{5}{11}$
 - 2. $4\frac{3}{11}$
 - 3. $7\frac{2}{11}$
 - 4. $6\frac{4}{11}$

Question ID : 264330129451
Status : Answered
Chosen Option : 1

Q.21 Three successive discounts of 10% are available on the sale of a washing machine with a marked price of ₹55,000. Find the final selling price (in ₹) of the washing machine.

- Ans
- 1. 40095
 - 2. 44000
 - 3. 40000
 - 4. 42095

Question ID : 264330103962
Status : Answered
Chosen Option : 1

Q.22 Ramesh alone can complete a work in 24 days. Ramesh and Somesh can complete it in 8 days. How long will Somesh alone take to complete the work?

- Ans
- 1. 10 days
 - 2. 15 days
 - 3. 14 days
 - 4. 12 days

Question ID : 264330130120
Status : Answered
Chosen Option : 4

Q.23 Simplify the following expression.
 $120 \div 15 \text{ of } 4 + [11 \times 4 \div 4 \text{ of } \{ 4 \times 2 - (8 - 11) \}]$

- Ans
- 1. $\frac{120}{61}$
 - 2. $\frac{61}{120}$
 - 3. 3
 - 4. -3

Question ID : 26433063187
Status : Answered
Chosen Option : 3

Q.24 A watch is purchased for ₹3,200 and sold for ₹2,700. Calculate the percentage loss up to two places of decimal.

- Ans
- 1. 15.18%
 - 2. 15.62%
 - 3. 16.12%
 - 4. 16.50%

Question ID : 26433085759
Status : Answered
Chosen Option : 2

Q.25 A circular running path is 1452 m in circumference. Two men start from the same point and walk in opposite direction at the speed of 7.5 km/h and 9 km/h, respectively. When will they meet for the first time?

- Ans
- 1. 5.17 min
 - 2. 5.28 min
 - 3. 5.71 min
 - 4. 5.82 min

Question ID : 26433075890
Status : Answered
Chosen Option : 2

Section : English Comprehension

Q.1 Select the option that expresses the given sentence in passive voice.
The teacher is explaining the lesson.

- Ans
- 1. The lesson explained the teacher.
 - 2. The teacher explained the lesson.
 - 3. The lesson is being explained by the teacher.
 - 4. The lesson was explained by the teacher.

Question ID : 264330137479
Status : Answered
Chosen Option : 3

Q.2 Some words in the following sentence have been underlined and given as options. Select the option that contains a spelling error.
He is an audacious entrepreneur who started his own business with the bear minimum.

- Ans
- 1. business
 - 2. audacious
 - 3. entrepreneur
 - 4. bear

Question ID : 264330121274
Status : Answered
Chosen Option : 4

Q.3 Sentences with spelling errors are given. Select the sentence with NO error.

- Ans
- 1. The body produces more saliva under fluorescent illumination which helps prevent cavities.
 - 2. The body produces more saliva under fluorescent illumination which helps prevent cavaties.
 - 3. The body produces more saliva under fluorescent illumination which helps prewent cavities.
 - 4. The body produces more saliva under fluorescent illumination which helps prewent cavaties.

Question ID : 26433089740
Status : Answered
Chosen Option : 1

Q.4 Select the most appropriate option to fill in the blank.

The termites were just the tip of the _____, but the house was near collapsing in reality.

- Ans
- 1. mountain
 - 2. iceberg
 - 3. shoe
 - 4. heel

Question ID : 26433088458
Status : Marked For Review
Chosen Option : 1

Q.5 Parts of the following sentence have been underlined and given as options. Select the option that contains an error.

I love to read certain stories from a Mahabharata.

- Ans
- 1. certain
 - 2. to
 - 3. love
 - 4. a

Question ID : 26433089375
Status : Answered
Chosen Option : 4

Q.6 Select the most appropriate option to fill in the blank.
_____ in population is a hindrance to a country's growth.

- Ans
- 1. Contract
 - 2. Decrease
 - 3. Reduce
 - 4. Increase

Question ID : 264330117188
Status : Answered
Chosen Option : 4

Q.7 Select the option that can be used as a one-word substitute for the given group of words.

Someone who regards the world as his country

- Ans
- 1. Atheist
 - 2. Metropolitan
 - 3. Cosmopolitan
 - 4. Philanthropist

Question ID : 26433086321
Status : Answered
Chosen Option : 3

Q.8 Select the option that can be used as a one-word substitute for the given group of words.

Not informed about or aware of something

- Ans
- 1. Oblivious
 - 2. Uneducated
 - 3. Absent
 - 4. Inconscient

Question ID : 26433088445
Status : Answered
Chosen Option : 1

Q.9 Select the most appropriate ANTONYM of the given word.

Selective

- Ans
- 1. Stimulating
 - 2. Careless
 - 3. Doubtful
 - 4. Planned

Question ID : 26433074385
Status : Marked For Review
Chosen Option : 2

Q.10 Select the option that can be used as a one-word substitute for the given group of words.

Burial ground consisting of graves.

- Ans
- 1. Courtyard
 - 2. Cemetery
 - 3. Sanctuary
 - 4. Auditorium

Question ID : 26433084674
Status : Answered
Chosen Option : 2

Q.11 Select the most appropriate option that can substitute the underlined words in the given sentence.
The heavy medications and strong drugs at the sanatorium will surely turn a patient completely lifeless and unresponsive.

- Ans
- 1. tombic
 - 2. cadaverous
 - 3. zonic
 - 4. wasted

Question ID : 26433086504
Status : **Not Answered**
Chosen Option : --

Q.12 Select the most appropriate meaning of the underlined idiom in the following sentence.
I really don't want to pour cold water on your theory but it cannot be applied to real life situations.

- Ans
- 1. To destroy someone's written piece of work
 - 2. To take revenge on someone by destroying their lives' work under the pretext of bad quality
 - 3. To be critical or doubtful of a plan that someone is excited about
 - 4. To give goosebumps by showing a prospect

Question ID : 26433088822
Status : **Marked For Review**
Chosen Option : 1

Q.13 Select the most appropriate synonym of the italicised word in the given sentence.

In most organisations there are *predators* who take advantage over the meek ones.

- Ans
- 1. supporters
 - 2. philanthropists
 - 3. benefactors
 - 4. exploiters

Question ID : 26433096204
Status : **Answered**
Chosen Option : 4

Q.14 Sentences of a paragraph are given below in jumbled order. Arrange the sentences in the correct order to form a meaningful and coherent paragraph.
A. Nostalgia helps us maintain a positive psychological status when counteracting the negative impact of difficult situations.
B. Nostalgia is a sentimental longing for one's past.
C. The adaptive functions of nostalgia are many, with one effect being pain relief.
D. It is a self-conscious, perhaps bittersweet but predominantly positive social emotion.

- Ans
- 1. CDBA
 - 2. BDAC
 - 3. ABCD
 - 4. CADB

Question ID : 264330143878
Status : **Marked For Review**
Chosen Option : 2

Q.15 Select the option that expresses the given sentence in passive voice.
They are hitting the ball.

- Ans
- 1. The ball has been hit by them.
 - 2. The ball is being hitten by them.
 - 3. The ball is hit by them.
 - 4. The ball is being hit by them.

Question ID : 264330121853
Status : Answered
Chosen Option : 4

Q.16 Select the most appropriate ANTONYM of the underlined word.
The crowd gave an exultant cheer to the football team when they were exiting the airport.

- Ans
- 1. rejoicing
 - 2. disconsolate
 - 3. jubilant
 - 4. elated

Question ID : 264330122968
Status : Answered
Chosen Option : 2

Q.17 Select the most appropriate option to fill in the blank.

The group of travellers were wonderstruck by the _____ of the coin.

- Ans
- 1. wait
 - 2. white
 - 3. weight
 - 4. wide

Question ID : 264330145565
Status : Answered
Chosen Option : 3

Q.18 Select the most appropriate synonym of the given word.

Fragile

- Ans
- 1. Delicate
 - 2. Firm
 - 3. Composed
 - 4. Fanatic

Question ID : 26433073700
Status : Answered
Chosen Option : 1

Q.19 Identify the option that rectifies the error in the given sentence.
In 2023, she will has been working in the company for three years.

- Ans
- 1. By 2023
 - 2. in company
 - 3. she will have been
 - 4. since three years

Question ID : 264330121285
Status : Answered
Chosen Option : 3

Q.20 Select the option that can be used as a one-word substitute for the given group of words.

Filled with fear or dread

- Ans 1. Prudent
 2. Tremulous
 3. Corpulent
 4. Hysterical

Question ID : 26433088444
Status : Answered
Chosen Option : 2

Comprehension:

In the following passage, some words have been deleted. Read the passage carefully and select the most appropriate option to fill in each blank.

Can we see (1)_____ the earth is a globe? Yes, we can, when we watch a ship that sails out to sea, if we watch closely, we see that the ship begins to (2)_____. The bottom of the ship disappears first, and then the ship seems to sink lower and lower, (3)_____ we can only see the top of the ship, and then we see nothing at all. What is hiding the ship from us? It is the earth. Stick a pin most of the way into an orange, and (4)_____ turn the orange away from you. You will see the pin disappear, (5)_____ a ship does on the earth.

SubQuestion No : 21

Q.21 Select the most appropriate option to fill in blank no. 1.

- Ans 1. that
 2. clearly
 3. how
 4. where

Question ID : 264330139829
Status : Answered
Chosen Option : 3

Comprehension:

In the following passage, some words have been deleted. Read the passage carefully and select the most appropriate option to fill in each blank.

Can we see (1)_____ the earth is a globe? Yes, we can, when we watch a ship that sails out to sea, if we watch closely, we see that the ship begins to (2)_____. The bottom of the ship disappears first, and then the ship seems to sink lower and lower, (3)_____ we can only see the top of the ship, and then we see nothing at all. What is hiding the ship from us? It is the earth. Stick a pin most of the way into an orange, and (4)_____ turn the orange away from you. You will see the pin disappear, (5)_____ a ship does on the earth.

SubQuestion No : 22

Q.22 Select the most appropriate option to fill in blank no. 2.

- Ans 1. being disappeared
 2. disappear
 3. have disappeared
 4. having disappeared

Question ID : 264330139830
Status : Answered
Chosen Option : 2

Comprehension:

In the following passage, some words have been deleted. Read the passage carefully and select the most appropriate option to fill in each blank.

Can we see (1)_____ the earth is a globe? Yes, we can, when we watch a ship that sails out to sea, if we watch closely, we see that the ship begins to (2)_____. The bottom of the ship disappears first, and then the ship seems to sink lower and lower, (3)_____ we can only see the top of the ship, and then we see nothing at all. What is hiding the ship from us? It is the earth. Stick a pin most of the way into an orange, and (4)_____ turn the orange away from you. You will see the pin disappear, (5)_____ a ship does on the earth.

SubQuestion No : 23

Q.23 Select the most appropriate option to fill in blank no. 3.

- Ans**
- 1. until
 - 2. after
 - 3. up to
 - 4. since

Question ID : 264330139831
Status : **Marked For Review**
Chosen Option : 1

Comprehension:

In the following passage, some words have been deleted. Read the passage carefully and select the most appropriate option to fill in each blank.

Can we see (1)_____ the earth is a globe? Yes, we can, when we watch a ship that sails out to sea, if we watch closely, we see that the ship begins to (2)_____. The bottom of the ship disappears first, and then the ship seems to sink lower and lower, (3)_____ we can only see the top of the ship, and then we see nothing at all. What is hiding the ship from us? It is the earth. Stick a pin most of the way into an orange, and (4)_____ turn the orange away from you. You will see the pin disappear, (5)_____ a ship does on the earth.

SubQuestion No : 24

Q.24 Select the most appropriate option to fill in blank no. 4.

- Ans**
- 1. accidentally
 - 2. reluctantly
 - 3. accordingly
 - 4. slowly

Question ID : 264330139832
Status : **Marked For Review**
Chosen Option : 4

Comprehension:

In the following passage, some words have been deleted. Read the passage carefully and select the most appropriate option to fill in each blank.

Can we see (1)_____ the earth is a globe? Yes, we can, when we watch a ship that sails out to sea, if we watch closely, we see that the ship begins to (2)_____. The bottom of the ship disappears first, and then the ship seems to sink lower and lower, (3)_____ we can only see the top of the ship, and then we see nothing at all. What is hiding the ship from us? It is the earth. Stick a pin most of the way into an orange, and (4)_____ turn the orange away from you. You will see the pin disappear, (5)_____ a ship does on the earth.

SubQuestion No : 25

Q.25 Select the most appropriate option to fill in blank no. 5.

- Ans**
- 1. the same
 - 2. alike
 - 3. unlike
 - 4. just as

Question ID : 264330139833
Status : **Marked For Review**
Chosen Option : 4